

1. Kas-Kel double hung replacement windows are manufactured on the odd eighth inch on the width and the quarter inch on the height

**Example: WIDTHS**

27-1/8", 27-3/8", 27-5/8", 27-7/8"

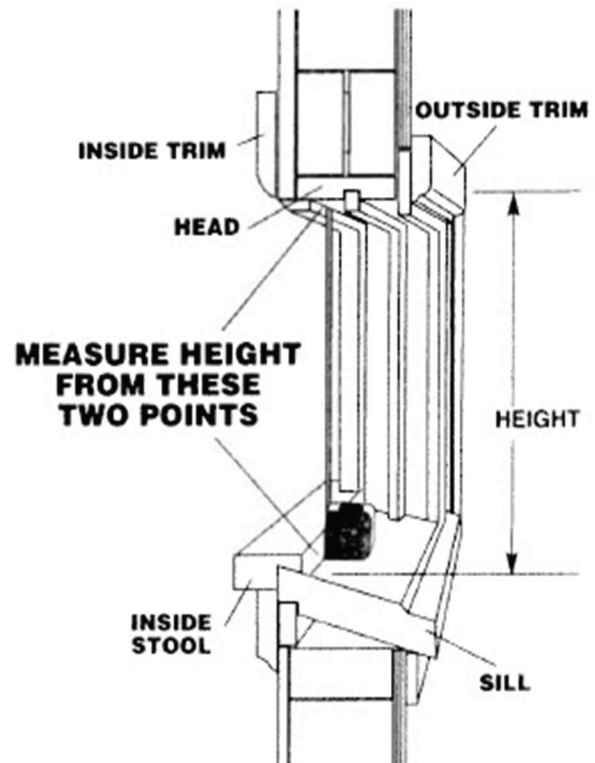
**Example: HEIGHTS**

50-1/4", 50-1/2", 50-3/4", 51"

**NOTE:**

**Width:** Eco Shield will deduct at least 1/4" from the opening size so the master frame will be manufactured tip-to-tip 1/4" to 3/8" under the opening measurement.

**Height:** Eco Shield will deduct at least 1/2" from opening size so the master frame will be manufactured tip-to-tip 1/2" to 5/8" under the opening size measurement, except for the 2000 Single Hung, Slider & Picture Window, and the 7000 Casement & Awning will be the same cut backs as the width, as there is no head expander.



2. Kas-Kel horizontals sliders will be cut on the 1/4" on the width and height. Deductions for tip-to-tip size same as double hung above.

**Example: SLIDER WIDTHS**

40-1/4", 40-1/2", 40-3/4", 41"

**NOTE:** The tip-to-tip manufacturing size will be 1/4" to 3/8" under the opening size

3. **WIDTH:** Measure between jambs at three points: top, middle and bottom. Use the **smallest** measurement.

4. **HEIGHT:** Measure between the outside sill, at the stool, and the top of the window casing on the left and right sides. Use the **smallest** measurement.

5. Overall width of window unit is 3 1/4"

